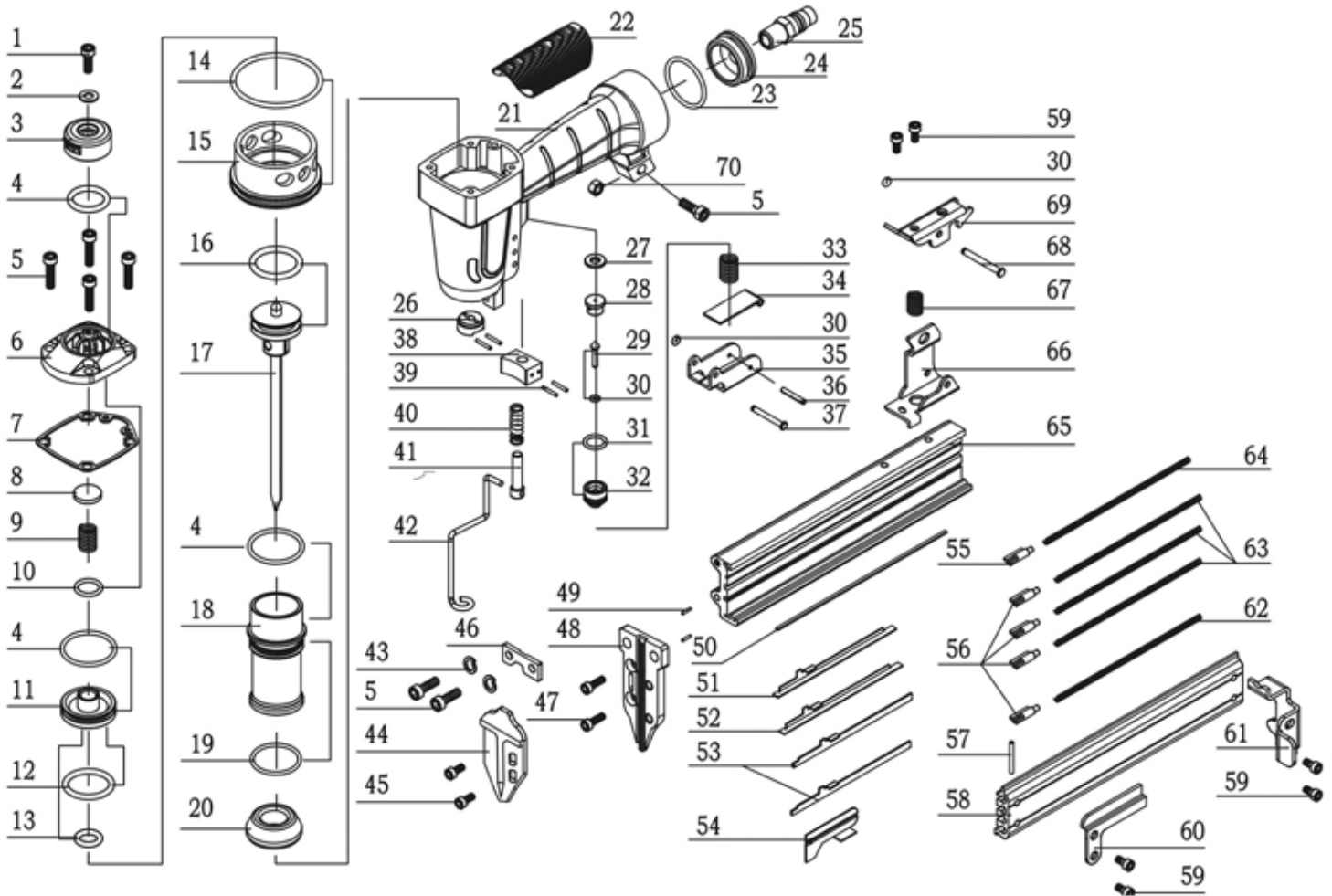


Air Locker

Model # P630



No.	Description	Qty	No.	Description	Qty	No.	Description	Qty
1	Hex Bolt M5X8	1	25	Ari Plug	1	49	Spring Pin 2X6	2
2	Washer 5	1	26	Nozzle	1	50	Inlaid Steel Strip	1
3	Exhaust Cover	1	27	Seal (12.5-7-1.8)	1	51	Nail Positioning Strip C	1
4	O-Ring 26.2X2.5	3	28	Trigger Valve Head	1	52	Nail Positioning Strip B	1
5	Hex Bolt M5X20	7	29	Trigger Valve Stem	1	53	Nail Positioning Strip A	2
6	Head Cap	1	30	O-Ring 1.2X1.9	3	54	Nail Pusher Unit	1
7	Gasket	1	31	O-Ring 11.2X1.9	1	55	Spring Holder B	1
8	Shim	1	32	Trigger Valve Cage	1	56	Spring Holder A	4
9	Compression Spring	1	33	Compression Spring	1	57	Spring Pin 2.5X30	1
10	O-Ring 11.7X2.5	1	34	Trigger Plate	1	58	Mobile Magazine	1
11	Head Valve Piston	1	35	Trigger Body	1	59	Hex Bolt M4X6	6
12	O-Ring 21.3X3	1	36	Cylinder Spring Pin 2.5X14	1	60	Stopper	1
13	O-Ring 10X3.5	1	37	Trigger Pin 3X23	1	61	Magazine End Stopper	1
14	O-Ring 31.3X2.5	1	38	Safety Guide Frame	1	62	Compression Spring	1
15	Support Collar	1	39	Step Pin	4	63	Compression Spring	3
16	O-Ring 17.3X3	1	40	Compression Spring	1	64	Compression Spring	1
17	Driver	1	41	Safety Stem	1	65	Fixed Magazine	1
18	Cylinder	1	42	Safety	1	66	Magazine Holder	1
19	O-Ring 24.5X2	1	43	Spring Washer 5	2	67	Compression Spring	1
20	Bumper	1	44	Driver Guide Cover	1	68	Step Pin 3X15.5	1
21	Body	1	45	Hex Bolt M4X10	2	69	Magazine Click Latch	1
22	Handle Grip	1	46	Spacer	1	70	Screw Nut M5	1
23	O-Ring 34X3.5	1	47	Hex Bolt M4X14	2			
24	End Cap	1	48	Driver Guide	1			