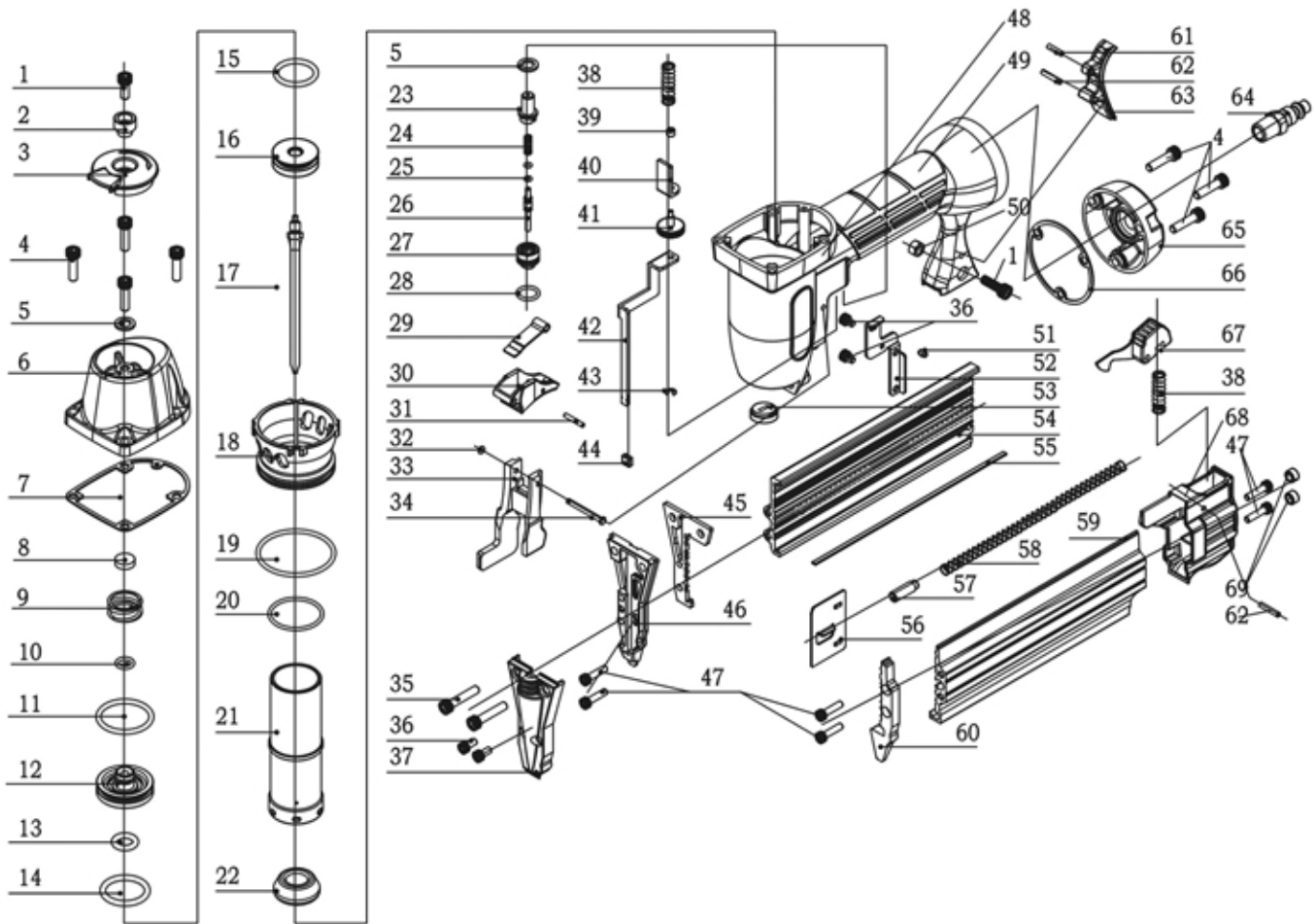


Air Locker

Model # B630



No	Description	Qty	No	Description	Qty	No	Description	Qty
1	Hex Bolt M5X12	2	24	Compression Spring	1	47	Hex Bolt M4X16	6
2	Bushing	1	25	O-Ring 5.2X1.5	2	48	Body	1
3	Exhaust Cover	1	26	Trigger Plunger	1	49	Handle Grip	1
4	Hex Bolt M5X20	7	27	Trigger Valve Cage	1	50	Hex Nut M5	1
5	Seal 12.5X8X1.5	2	28	O-Ring 15X1.9	1	51	Step Pin	1
6	Head Cap	1	29	Trigger Plate	1	52	Tail Magazine Holder	1
7	Seal	1	30	Trigger Body	1	53	Nozzle	1
8	Shim	1	31	Spring Pin 2.5X16	1	54	Magazine Fixed	1
9	Compression Spring	1	32	O-Ring 5X1.9	1	55	Inlaid Strip	1
10	O-Ring 12.5X2	1	33	Safety Guide Frame	1	56	Nail Pusher	1
11	O-Ring 36.3X3	1	34	Step Pin 3X28	1	57	Spring Holder	1
12	Head Valve Piston	1	35	Hex Bolt M5X22	2	58	Nail Pusher Spring	1
13	O-Ring 17X3.5	1	36	Hex Bolt M4X6	4	59	Magazine Mobile	1
14	O-Ring 32X3.5	1	37	Safety Cover	1	60	Nail Limit	1
15	O-Ring 28.3X3	1	38	Compression Spring	2	61	Spring Pin 3X12	1
16	Piston	1	39	E-Ring	1	62	Spring Pin 3X16	2
17	Driver Blade	1	40	Safety Upper	1	63	Body End Cap	1
18	Support Collar	1	41	Adjust Knob	1	64	Air Plug	1
19	O-Ring 45X3	1	42	Safety Lower	1	65	End Cap	1
20	O-Ring 31.6X1.8	1	43	Loop Retainer 3	1	66	End Cap Gasket	1
21	Cylinder	1	44	Non-Maning Tip	1	67	Mag. Click Lever	1
22	Bumper	1	45	Driver Guide	1	68	Mag. End Stop Unit	1
23	Trigger Valve	1	46	Driver Guide Cover	1	69	Mag. Plastic Cap	2